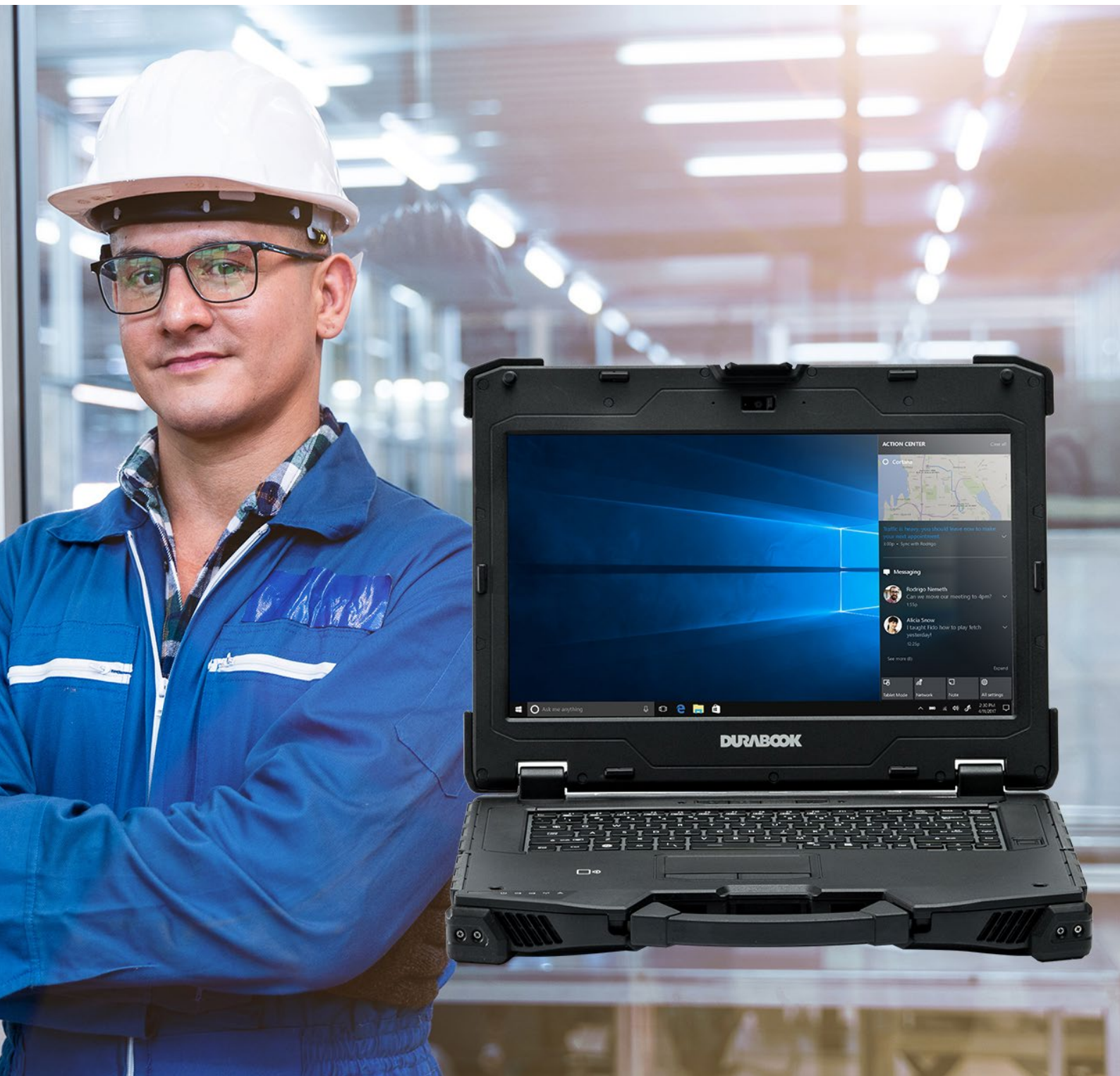


DURABOOK

Prepared for the Unexpected

Z14I Laptop Solution Guide





Z14I Laptop

As Strong As It Gets. Boundless Customization.

Combined with the latest 11th Generation Intel® Core™ processor and Iris® Xe graphics capabilities, the Z14I rugged laptop can handle data intensive tasks at speed. It has been built to withstand even the harshest of environments. Its IP65 rating, protecting against dust and water ingress, MIL-STD 810H certification and resistance up to six feet drop make the Z14I more rugged than other comparable devices on the market. The device has also been tested for explosive atmosphere, solar radiation, salt fog, and fungus resistance, which goes beyond testing standards compared to other rugged devices in its class. The Z14I includes Durabook's proprietary DynaVue® technology and high-definition multi-touch screen, offering the highest contrast ratio, which helps to eliminate internal reflections that enhance viewing clarity even from different angles, and in bright sunshine or low light conditions.

- 14.0" FHD DynaVue® SR display with 1000 nits
- 11th Generation Intel® Core™ Processor
- Extreme rugged certified for salt fog & fungus resistance
- Up to 21.5 hrs. with 2nd battery
- Fanless design with tremendous I/O options
- Standard backlit keyboard & multimedia bay options

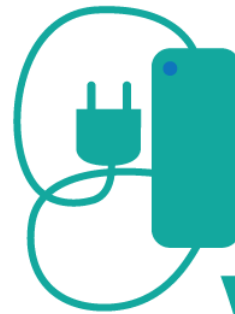


Z14I LAPTOP SOLUTION ECOSYSTEM

DOCKING SOLUTIONS



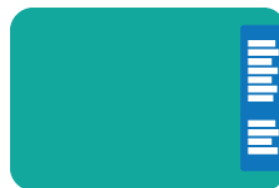
POWER MANAGEMENT SOLUTIONS



PRODUCTIVITY SOLUTIONS



STORAGE SOLUTIONS



WARRANTY SOLUTIONS



Z14I Laptop SOLUTION ECOSYSTEM

Durabook's full range of solutions is designed to work with Durabook devices so you can be more productive with better security and connectivity.

All accessories in the guide are fully tested in-house and in the Durabook factory by Durabook Engineers.

VERSATILE SOLUTIONS FOR THE MODERN WORKFORCE

FIELD SERVICE

UTILITY



MILITARY &
DEFENSE



VERSATILE SOLUTIONS FOR THE MODERN WORKFORCE

Built to meet the heightened needs of industry clients, Durabook's unmatched rugged product lineup has everything you need.



PUBLIC SAFETY &
EMERGENCY SERVICE



OIL & GAS



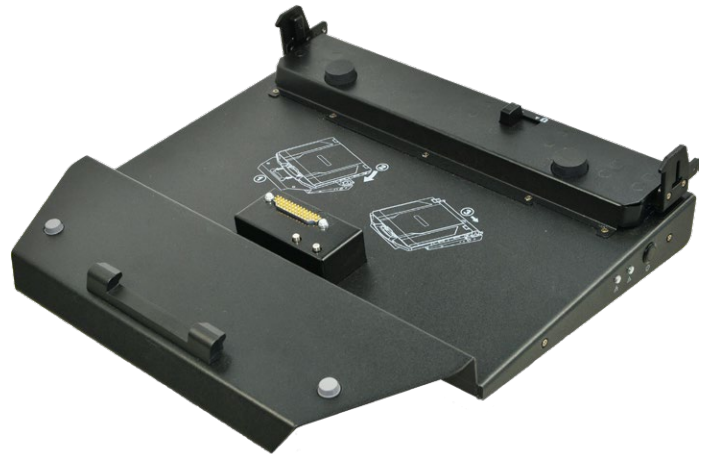
INDUSTRIAL
MANUFACTURING

DOCKING SOLUTIONS

Office Dock with 120W AC Adapter

Ports:

- DC-in jack x 1
- 10/100/1000 Ethernet (RJ-45) x 1
- USB 3.0 (type A) x 2
- USB 2.0 (type A) x 2
- DP (DisplayPort) port x 1
- HDMI port (type A) x 1
- VGA port x 1
- Serial COM port (D-sub) x 1
- Audio out jack
- Microphone in jack



Size: 322 mm (W) x 321 mm (D) x 78 mm (H)

Weight: 2.88 kg

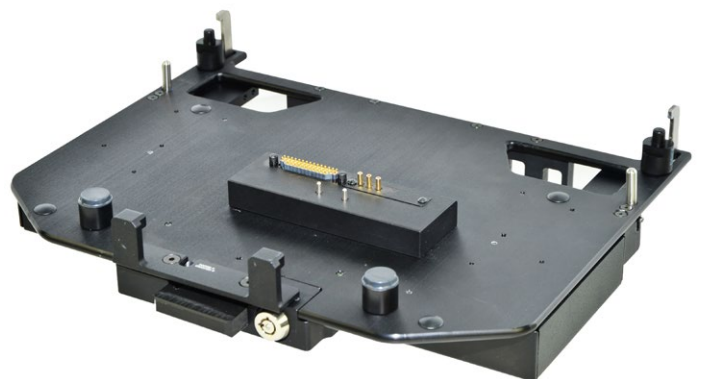
Part Number:

DDXZ4_

Vehicle Dock with Tri-RF Pass-through (PMT)

Ports:

- DC-in jack x 1
- 10/100/1000 Ethernet (RJ-45) x 1
- USB 3.0 (type A) x 2
- USB 2.0 (type A) x 2
- DP (DisplayPort) port x 1
- HDMI port (type A) x 1
- VGA port x 1
- Serial COM port (D-sub) x 1
- Audio out jack
- Microphone in jack
- GPS/WWAN/WLAN Pass-through



Size: 379.2 mm (W) x 294.9 mm (D) x 145.5 mm (H)

Weight: 4.15kg

Part Number:

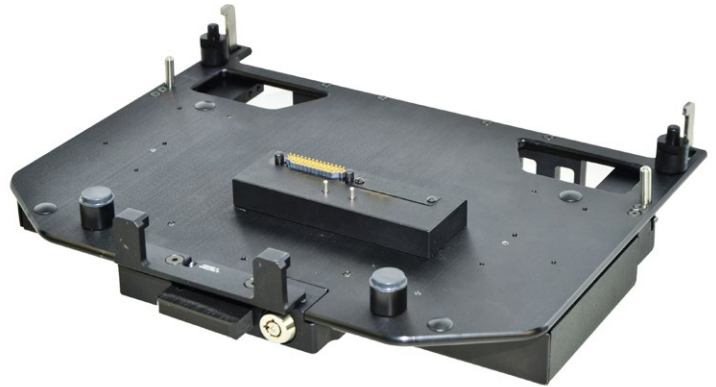
TVPZ4P

DOCKING SOLUTIONS

Vehicle Dock without Tri-RF Pass-through (PMT)

Ports:

- DC-in jack x 1
- 10/100/1000 Ethernet (RJ-45) x 1
- USB 3.0 (type A) x 2
- USB 2.0 (type A) x 2
- DP (DisplayPort) port x 1
- HDMI port (type A) x 1
- VGA port x 1
- Serial COM port (D-sub) x 1
- Audio out jack
- Microphone in jack



Size: 379.2 mm (W) x 294.9 mm (D) x 145.5 mm (H)

Weight: 4.22kg

Part Number:

TVXZ4P

POWER MANAGEMENT SOLUTIONS

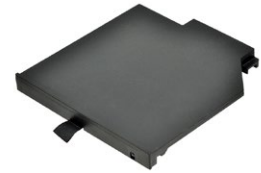
Spare Main Battery

Part Number:
DBMZ4X



Removable 2nd Battery for media bay

Part Number:
DB2Z4X



Battery Charger - 2 bays

Part Number:
DC2Z4_



*Supports both main and second battery
Supports up to three 2-Bay Chargers daisy chained together using the attached DC-out cable.*

Power Input: 100-240V, 50-60Hz, 65W AC Adapter
Dimensions: 151 mm (W) x 160 mm (D) x 85 mm (H)
Weight: 0.66kg

Battery Charger - 8 bays

Part Number:
DC8Z4_



*Supports both main and second battery
Supports both main and hi-cap battery
Supports battery calibration with the push of a button.*

Power Input: 100-240V, 50-60Hz, 200W Internal Power Supply
Dimensions: 550 mm (W) x 175 mm (D) x 103 mm (H)
Weight: 4.5kg

90W AC Adapter with power cord

Part Number:
DAA9X_



120W AC Adapter with power cord

Part Number:
DAA2X_



MIL-STD-461G Compliant

Car Adapter (11-32V DC 90W)

Part Number:
DAD4XX



PRODUCTIVITY SOLUTIONS

**Expansion Box - discrete VGA with
NVIDIA GeForce GTX1050 and
120W AC Adapter**

Part Number:
DEVZ4_



**Expansion Box - Military-grade
Connectors**

Part Number:
Project-based*



**Expansion Box -
PCI-Express (2 slots)
with 120W AC Adapter**

Part Number:
DEEZ4_



**Expansion Box - portable Server
(default 3 x 1TB SSD
and 120W AC Adapter)**

Part Number:
DESZ4_-A4



**Expansion Box - portable Server
(default 3 x 1TB SSD with additional
1 x 1TB SSD and 120W AC Adapter)**

Part Number:
DESZ4_-B4



**Expansion Box - portable Server
(default 3 x 2TB SSD and 120W AC Adapter)**

Part Number:
DESZ4_-A5



**Expansion Box - portable Server
(default 3 x 2TB SSD with additional
1 x 2TB SSD and 120W AC Adapter)**

Part Number:
DESZ4_-B5



Shoulder Strap (2 Point)

Part Number:
DMS2XX



* Request special order. Please contact Durabook representative for details.

PRODUCTIVITY SOLUTIONS

Spare Stylus & Tether

Part Number:
DMSTXX



Screen Protector Film

Part Number:
DPFZ4X



Removable Super Multi DVD for media bay

Part Number:
DEDZ4X



STORAGE SOLUTIONS

Spare SSD with canister

Part Numbers:

DSMZ44 - 1TB

DSMZ43 - 512GB

DSMZ42 - 256GB



2nd SSD for media bay

Part Numbers:

DS2Z44 - 1TB

DS2Z43 - 512GB

DS2Z42 - 256GB



WARRANTY SOLUTIONS

Extended Warranty

Durabook's Extended Warranty provides up to an additional 4 years of warranty thereby minimizing the cost of repair throughout the lifecycle of your device.

Part Numbers:

EW4-Z14 - Extended Warranty - Years 1 to 4 (including 1 Year Extended Warranty)

EW5-Z14 - Extended Warranty - Years 1 to 5 (including 2 Year Extended Warranty)

EW6-Z14 - Extended Warranty - Years 1 to 6 (including 3 Year Extended Warranty)

EW7-Z14 - Extended Warranty - Years 1 to 7 (including 4 Year Extended Warranty)

Accidental Damage Warranty (Protection Plus)

Durabook's Accidental Damage Warranty provides up to 7 years of warranty. With Durabook's Accidental Damage Warranty your Durabook rugged devices are covered for accidental damage.

Part Numbers:

PP3-Z14 - Accidental Damage Warranty - Years 1 to 3

PP4-Z14 - Accidental Damage Warranty - Years 1 to 4 (including 1 Year Extended Warranty)

PP5-Z14 - Accidental Damage Warranty - Years 1 to 5 (including 2 Year Extended Warranty)

PP6-Z14 - Accidental Damage Warranty - Years 1 to 6 (including 3 Year Extended Warranty)

PP7-Z14 - Accidental Damage Warranty - Years 1 to 7 (including 4 Year Extended Warranty)

Extended Battery Warranty

Durabook's Extended Battery Warranty provides up to 5 years of warranty on the device's main standard battery providing you with a worry free solution for your workforce.

Part Numbers:

EBW2-Z14 - Extended Battery Warranty - 2 Years Cover (Main Standard Battery Only)

EBW3-Z14 - Extended Battery Warranty - 3 Years Cover (Main Standard Battery Only)

EBW4-Z14 - Extended Battery Warranty - 4 Years Cover (Main Standard Battery Only)

EBW5-Z14 - Extended Battery Warranty - 5 Years Cover (Main Standard Battery Only)

SOLUTION OVERVIEW

CATEGORY	ITEM	PART NO.
DOCKING SOLUTIONS	Office Dock with 120W AC Adapter	DDXZ4_
	Vehicle Dock with Tri-RF Pass-through (PMT)	TVPZ4P
	Vehicle Dock without Tri-RF Pass-through (PMT)	TVXZ4P
POWER MANAGEMENT SOLUTIONS	Spare Main Battery	DBMZ4X
	Removable 2nd Battery for media bay	DBZ24X
	Battery Charger - 2 bays	DC2Z4_
	Battery Charger - 8 bays	DC8Z4_
	90W AC Adapter with power cord	DAA9X_
	120W AC Adapter with power cord	DAA2X_
	Car Adapter (11-32V DC 90W)	DAD4XX
PRODUCTIVITY SOLUTIONS	Expansion Box - discrete VGA with NVIDIA GeForce GTX1050 and 120W AC Adapter	DEVZ4_
	Expansion Box - Military-grade Connectors	Project-based
	Expansion Box - PCI-Express (2 slots) with 120W AC Adapter	DEEZ4_
	Expansion Box - portable Server (default 3 x 1TB SSD and 120W AC Adapter)	DESZ4_-A4
	Expansion Box - portable Server (default 3 x 1TB SSD with additional 1 x 1TB SSD and 120W AC Adapter)	DESZ4_-B4
	Expansion Box - portable Server (default 3 x 2TB SSD and 120W AC Adapter)	DESZ4_-A5
	Expansion Box - portable Server (default 3 x 2TB SSD with additional 1 x 2TB SSD and 120W AC Adapter)	DESZ4_-B5
	Shoulder Strap (2 Point)	DMS2XX
	Spare Stylus & Tether	DMSTXX
	Screen Protector Film	DPFZ4X
	Removable Super Multi DVD for media bay	DEDZ4X
	STORAGE SOLUTIONS	Spare 1TB SSD with canister
Spare 512GB SSD with canister		DSMZ43
Spare 256GB SSD with canister		DSMZ42
2nd 1TB SSD for media bay		DSZ244
2nd 512GB SSD for media bay		DSZ243
2nd 256GB SSD for media bay		DSZ242

SOLUTION OVERVIEW

CATEGORY	ITEM	PART NO.
WARRANTY SOLUTIONS	Extended Warranty	
	Extended Warranty - Years 1 to 4 (including 1 Year Extended Warranty)	EW4-Z14
	Extended Warranty - Years 1 to 5 (including 2 Year Extended Warranty)	EW5-Z14
	Extended Warranty - Years 1 to 6 (including 3 Year Extended Warranty)	EW6-Z14
	Extended Warranty - Years 1 to 7 (including 4 Year Extended Warranty)	EW7-Z14
	Accidental Damage Warranty (Protection Plus)	
	Accidental Damage Warranty - Years 1 to 3	PP3-Z14
	Accidental Damage Warranty - Years 1 to 4 (including 1 Year Extended Warranty)	PP4-Z14
	Accidental Damage Warranty - Years 1 to 5 (including 2 Year Extended Warranty)	PP5-Z14
	Accidental Damage Warranty - Years 1 to 6 (including 3 Year Extended Warranty)	PP6-Z14
	Accidental Damage Warranty - Years 1 to 7 (including 4 Year Extended Warranty)	PP7-Z14
	Extended Battery Warranty	
	Extended Battery Warranty - 2 Years Cover (Main Standard Battery Only)	EBW2-Z14
	Extended Battery Warranty - 3 Years Cover (Main Standard Battery Only)	EBW3-Z14
	Extended Battery Warranty - 4 Years Cover (Main Standard Battery Only)	EBW4-Z14
	Extended Battery Warranty - 5 Years Cover (Main Standard Battery Only)	EBW5-Z14



DURABOOK

Prepared for the Unexpected

www.durabook.com

Copyright© Twinhead International Corp. and/or any of its affiliates. All Rights Reserved.

All brand names are registered trademarks of their respective owners.

The specifications and pictures are subject to change without notice.

July 2021_Z14I_V1